



**ELCB-4**

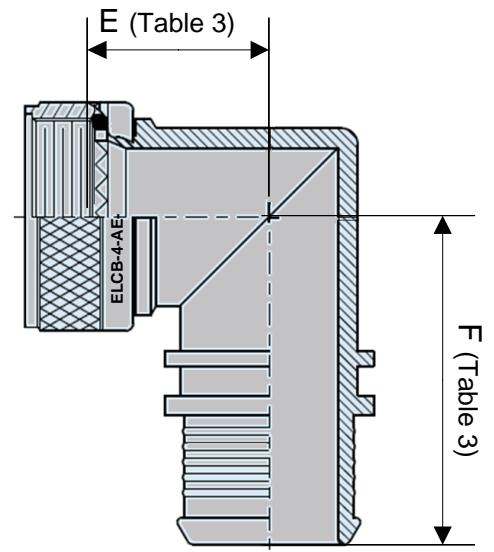
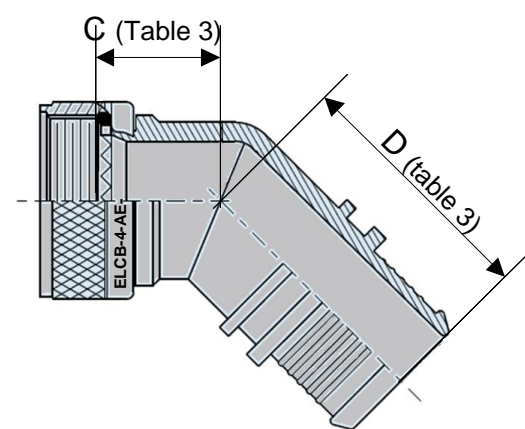
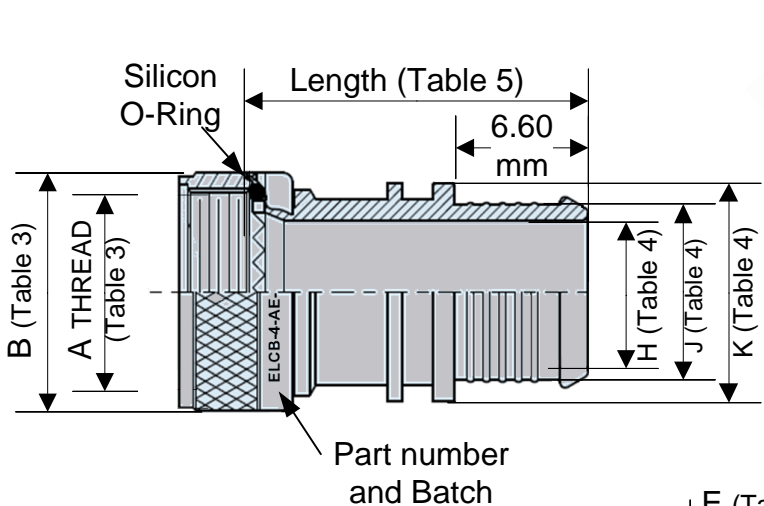
**EMI/RFI Banding, Thread On, Shrink Boot Adapter.**

**Used on Mighty Mouse**

**One piece (Style 1) construction**

**ELCB-4-AE-0502-S-1-M**

BASIC PART NUMBER \_\_\_\_\_  
 SERIES (For Mighty Mouse Ser. 80) \_\_\_\_\_  
 MATERIAL (see table 1) \_\_\_\_\_  
 FINISH (see table 2) \_\_\_\_\_  
 SHELL SIZE (see table 3) \_\_\_\_\_  
 ENTRY SIZE (see table 4) \_\_\_\_\_  
 ANGLES (**S**=00°, **A**=45°, **R**=90°) \_\_\_\_\_  
 LENGTH "Straight only" (see table 5) \_\_\_\_\_  
 BAND (**M** Micro Band) \_\_\_\_\_





Material (Table 1)	
A	ALUMINIUM
B	NICKEL ALUMINIUM BRONZE
S	STAINLESS STEEL

FINISH (Table 2)	
C	CADMIUM OLIVE DRAB OVER, AMS-QQ-P-416 ,Type-II, Class-3. ELECTROLESS NICKEL, AMS-C-26074, Class-4 cgade-B
B	UNPLATED CLEAN FINISH NOT SHOT BLASTED (FOR NICKEL ALUMINIUM BRONZE)
E	ELECTROLESS NICKEL AMS-C-26074, Class-4 cgade-B
J	PASSIVATE PER QQ-P-35 (FOR STAINLESS STEEL)
Z	ZINC NICKEL ALLOY, DARK OLIVE DRAB PASSIVATE OVER ELECTROLESS NICKEL ASTMS 841-91.
ZB	ZINC NICKEL ALLOY, BLACK PASSIVATE OVER ELECTROLESS NICKEL ASTMS 841-91.

ENTRY SIZE (Table 4)			
Entry Size	Ø H ± 0.38	Ø J ± 0.38	K ± 0.38
02	3.18	4.17	6.76
03	4.78	5.77	8.36
04	6.35	7.34	9.93
05	7.92	8.92	11.51
06	9.53	10.52	13.11
07	11.13	12.12	14.71
08	12.70	13.69	16.28
09	14.27	15.27	17.86
10	15.88	16.87	19.46
11	17.48	18.47	21.06
12	19.05	20.04	22.63
13	20.62	21.62	24.21
14	22.23	23.22	25.81
15	23.83	24.82	27.41
16	25.4	26.39	28.98

DIMENSIONS (Table 3)							SHELL SIZE	
Shell Size	A Thread	B Max.	C Max.	D Max.	E Max.	F Max.	Ser. 800. 801 803. 804	Ser. 805
05	.2500-32 UNEF-2B	11.94	13.46	16.76	16.00	19.81	5	-
06	.3125-32 UNEF-2B	13.46	13.97	17.02	16.76	20.27	6	-
11	.3750-32 UNEF-2B	14.48	14.22	17.27	17.27	20.57	-	8
07	.4375-28 UNEF-2B	16.18	14.48	17.53	17.78	21.08	7	9
08	.5000-28 UNEF-2B	17.78	14.73	17.78	18.80	21.84	8	10
09	.5625-24 UNEF-2B	19.25	14.99	18.03	19.56	22.61	9	11
10	.6250-24 UNEF-2B	20.80	15.49	18.54	20.32	23.37	10	12
12	.6875-24 UNEF-2B	22.76	16.26	19.06	21.34	24.64	12,13	-
13	.7500-20 UNEF-2B	23.62	16.76	19.56	22.35	25.91	-	15
14	.9375-20 UNEF-2B	28.88	17.53	20.32	24.13	27.69	14,15,16,17	18, 19
16	1.0625-18 UNEF-2B	31.24	18.03	20.82	24.89	28.70	19	21
17	1.1875-18 UNEF-2B	35.23	18.29	21.08	25.65	29.46	21	23

Length (Table 5)	
Straight only	
Length Code	Length mm
1	19.05
2	22.23
3	25.40
4	28.58
5	31.75
6	34.93
7	38.10
8	41.28
9	44.45
10	47.63
11	50.80
12	53.98
13	57.15
14	60.33
15	63.50

**Notes:**

1. THIS PRODUCT IS DESIGNED TO TERMINATING OVERALL HARNESS SHIELDS. THIS BACKSHELL UTILIZE STANDARD BAND RING FOR 360 DEGREES SHIELD TERMINATION AND LOWEST DC RESISTANCED, USE HEAT SHRINKABLE BOOT.
2. MATED PROVIDE A WATER-TIGHT SEAL MEETING THE REQUIREMENTS OF MIL-C-85049, PAR. 3.5.7.
3. BACKSHELL TO BE PERMANENTLY MARKED WITH CODE IDENTIFICATION NUMBER AND PART NUMBER. (e.g.12321-ELCB-1-AC-S-1504-S).
4. ALL DIMENSIONS ARE IN MM.